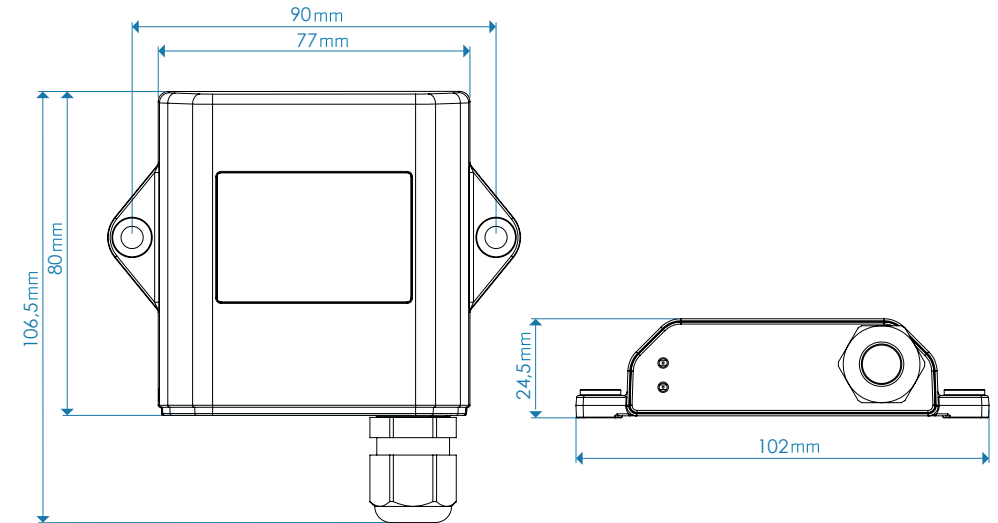


ICARUSblue[®]

RADIO REMOTE CONTROL SYSTEM
WITH BLUETOOTH[®] TECHNOLOGY



TECHNICAL DATA

Model name: R820

Frequency: 2,4 GHz (Bluetooth 5.0)

Antenna: internal

Transmission power: +8dBm

Operating range: approx. 100m (depending on environment)

Supply voltage: 9 - 36 Vdc

Current consumption: < 8mA (Standby)

Outputs: 8 (digital)

Inputs: 2 (digital)

Rated current: 2,5A per output (max. 3,5A¹)

Total current: max. 10A

Connection cable: 12 core ADR cable with 1,5m length (prewired)

Weight: 380g including 1,5m cable

Housing: potted ABS housing

Protection class: IP69K²

Temperature range: -40°C to +60°C

Working height: 2000m ASL

Optical feedback: bicolour LED (red / green)

¹ Depending on temperature and load duration; software-side switch-off at internal temperature $\geq 85^\circ\text{C}$ and/or loads $\geq 3,6\text{A}$ for a duration of ≥ 1 second.

² If the receiver protective cover is used properly. Otherwise protection class IP67.



FURTHER INFORMATION:

www.icarus-blue.com

CONTACT SALES INTERNATIONAL

ICP Systems B.V.

Mr. Alfred van der Laan, +31 (0) 548 374 991, sales@icpgroup.nl

ICARUS blue® is a product series of the ICP Group, produced and licensed by ICP Systems B.V., Handelsweg 48, 7451 PJ Holten, The Netherlands. The ICARUS blue® word mark is a registered trademark of ICP GmbH, Manderscheidstraße 8b, 45141 Essen, Germany. The Bluetooth® word mark and logos are registered trademarks of Bluetooth SIG, Inc. and any use of these marks by ICP Systems B.V. is under license. The shown product images are digital renderings. The later series products may differ. All information is non-binding.